



LABORATORY
EQUIPMENT

thermoblocks

2021

WWW.FALCINSTRUMENTS.IT



THERMOBLOCKS

- 5 | Heating Thermoblocks
- 5 | Cooling Thermoblocks



THERMOBLOCKS

Heating and cooling Thermoblocks



Temperature stability indicator

Hot block indicator

DISPLAY:
• Temperature resolution 0,1°C
• Digital timer

Multifunction key

THERMOBLOCKS



Ideal for storage, digesting, incubating, concentrating, and other heating processes. Useful for enzymatic and chemical-catalytic reactions.



TD: 25°C - 200°C

Heating Thermoblocks



TD 200 P1



TD 200 P2



TD 200 P2+



TD 200 P3

Technical data		TD 200 P1*	TD 200 P2*	TD 200 P2+*	TD 200 P3*
Blocks number	n°	1	2	2 separated	3
Adjustable temperature	°C	25 ÷ 200	25 ÷ 200	25 ÷ 200	25 ÷ 200
Operating temperature	°C	+5 room ÷ 200	+5 room ÷ 200	+5 room ÷ 200	+5 amb ÷ 200
Precision	°C	±0,5	±0,5	±0,5	±0,5
Timer	min	0÷999/∞	0÷999/∞	0÷999/∞	0÷999/∞
Power	W	150	300	150+150	500
Dimensions LxWxH	mm	285x200x110	305x230x110	305x290x110	305x290x110
Weight	Kg	2,9	3,4	3,6	4,1
Code		621.0422.11	621.0422.12	621.0422.15	621.0422.13

V/HZ 220/240-50/60

CLASSE DI SICUREZZA 0

CLASSE DI PROTEZIONE IP 30

Cooling Thermoblocks



Ideal for storage, digestion, incubation, concentration, and other heating processes. Useful for enzymatic reactions and chemical-catalytic. The temperature is set through three-step integrated programming



TDC: 0°C ÷ 100°C



TDC 100 P1



TDC 100 P2

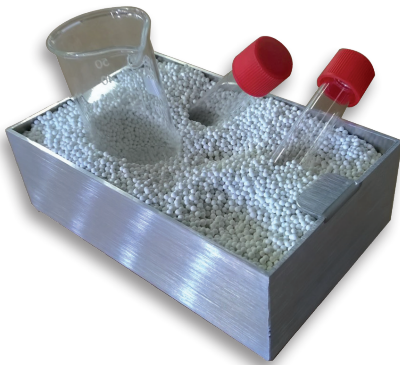
Technical data		TDC 100 P1	TDC 100 P2
Blocks number	n°	1	2
Adjustable temperature	°C	0 ÷ 100	0 ÷ 100
Operating temperature	°C	5 ÷ 100	5 ÷ 100
Precision	°C	±0,5	±0,5
Timer	min	0÷999/∞	0÷999/∞
Program	step	3 temp + 3 time	3 temp + 3 time
Power	W	120	240
Dimensions LxWxH	mm	325x270x191	325x320x191
Weight	Kg	4,4	5,5
Code		621.0422.21	621.0422.22

V/HZ 220/240-50/60

CLASSE DI SICUREZZA 0

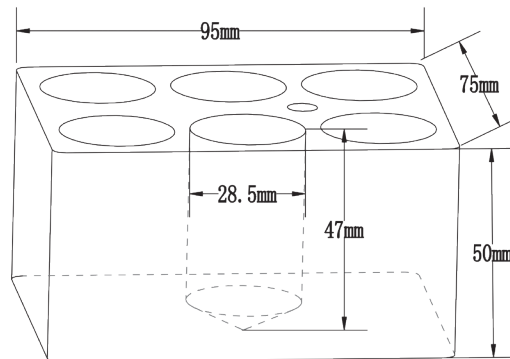
CLASSE DI PROTEZIONE IP 30

THERMOBLOCKS

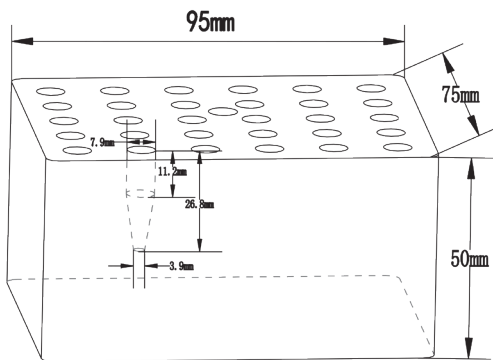


One-place bucket with ceramic bead
dim 55x75x36. For TD models
Code 621.0423.50

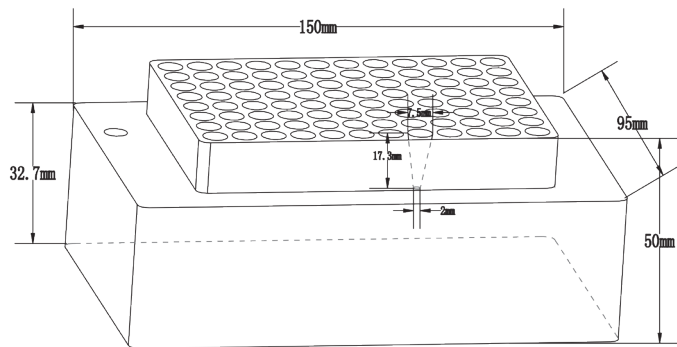
Two place bucket with ceramic bead
dim 130x75x36. For TD models
Code 621.0423.51



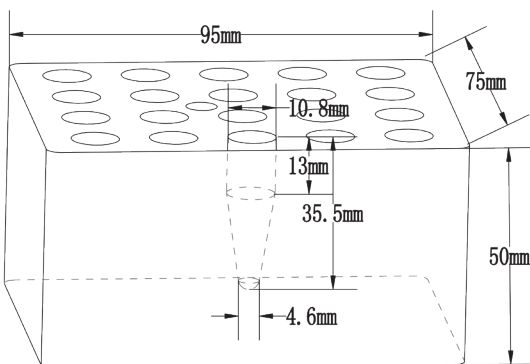
6 holes - test tubes 28 mm.
For models TD
Code 621.0423.62*



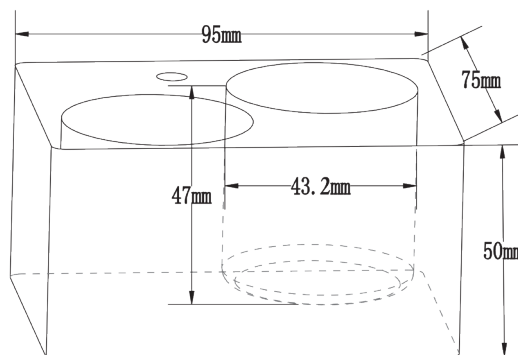
30 holes - test tubes 0.5 ml - Eppendorf.
For TD models
Code 621.0423.72



96 holes - 0.2 ml - skirted PCR, vials,
double block version. For models TD
Code 621.0423.74

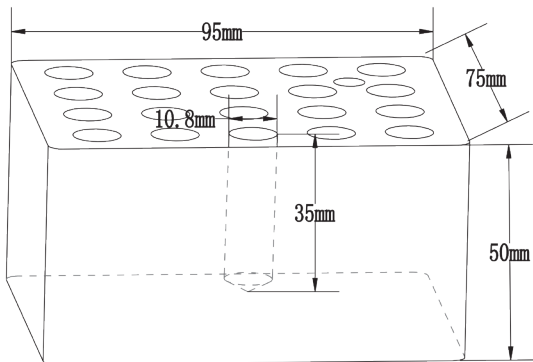


20 holes - test tubes
1.5 ml - Eppendorf. For TD models
Code 621.0423.73

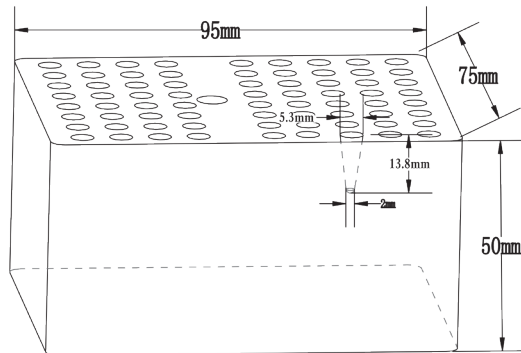


2 holes - Test tubes 50 ml flat bottom.
For TD models
Code 621.0423.64

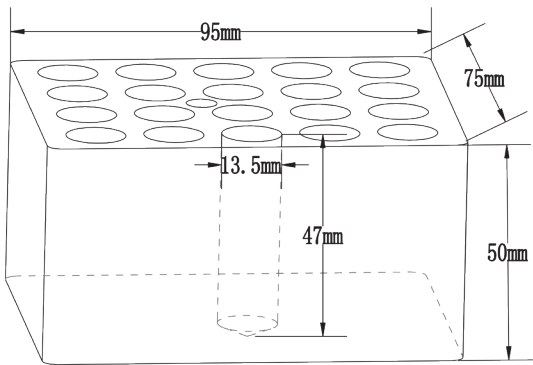
THERMOBLOCKS



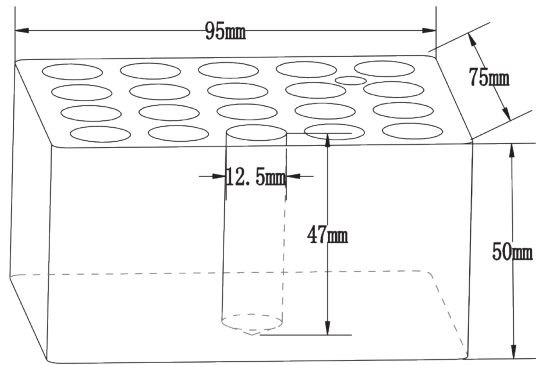
20 holes - test tubes 10 mm.
For TD models
Code 621.0423.56



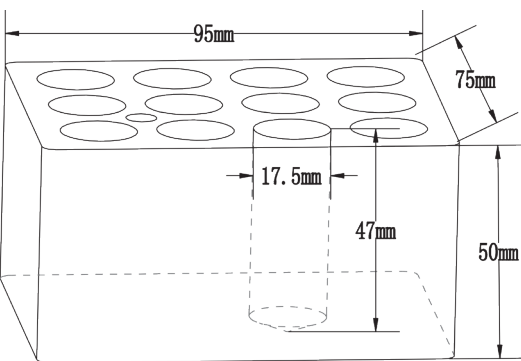
72 holes - 0.2 ml - vials.
For models TD
Code 621.0423.70



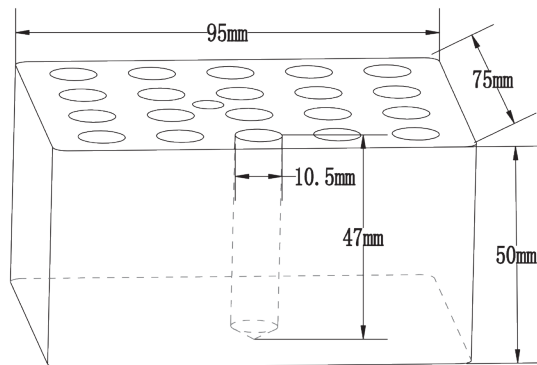
20 holes - test tubes 13 mm.
For TD models
Code 621.0423.59*



20 holes - test tubes 12 mm.
For TD models
Code 621.0423.58*

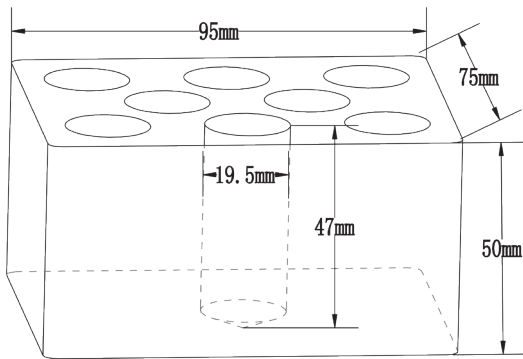


12 holes - test tubes 16 mm.
For TD models
Code 621.0423.60*

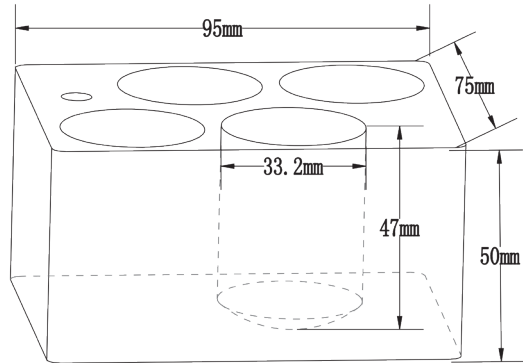


20 holes - test tubes 2 ml.
For models TD
Code 621.0423.57

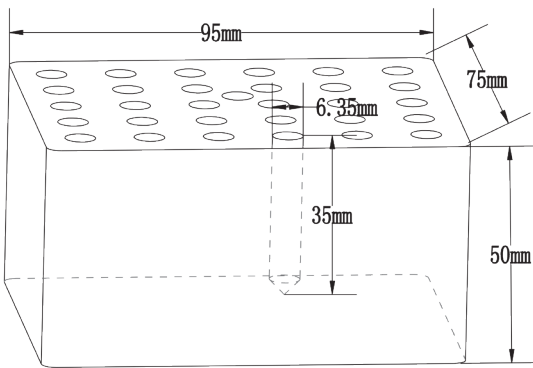
THERMOBLOCKS



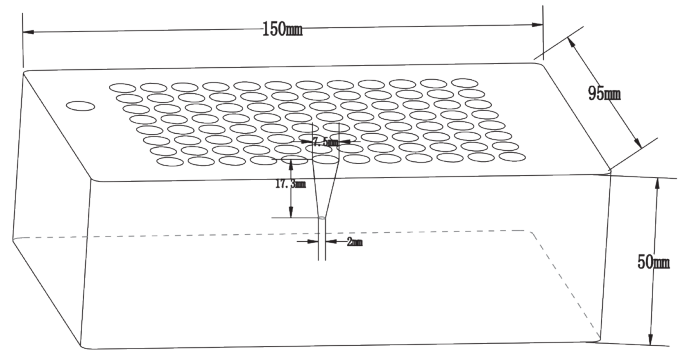
8 holes - test tubes 19 mm.
For TD models
Code 621.0423.61*



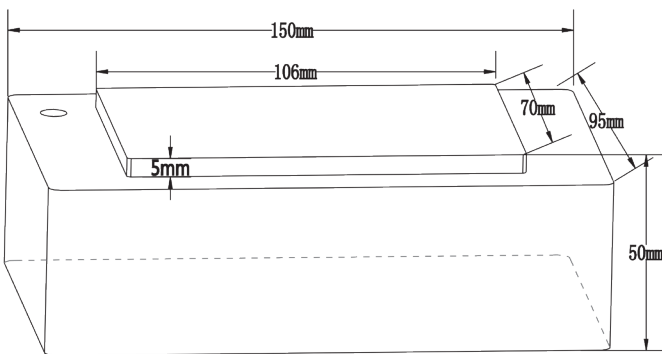
4 holes - test tubes 33 mm.
For TD models
Code 621.0423.63*



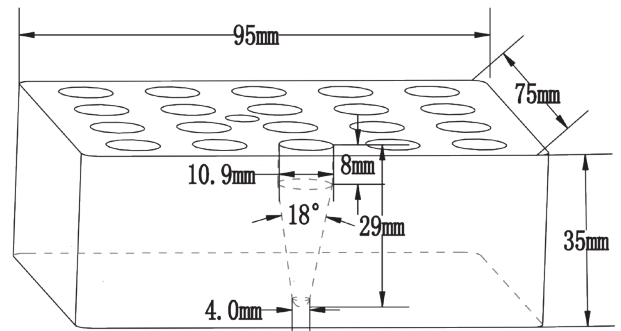
30 holes - test tubes 0.5 ml.
For TD models
Code 621.0423.55



96 holes - 0.2 ml - non skirted vials,
double block version.
For TD models
Code 621.0423.71

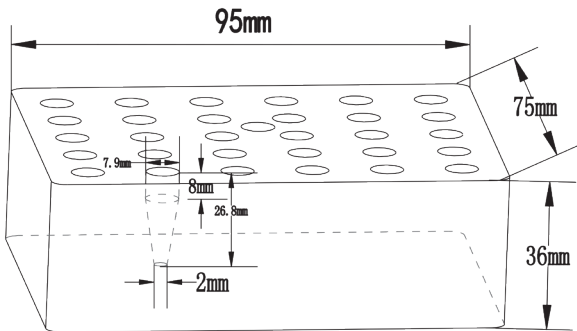


Elisa plate block.
For TD models
Code 621.0423.81

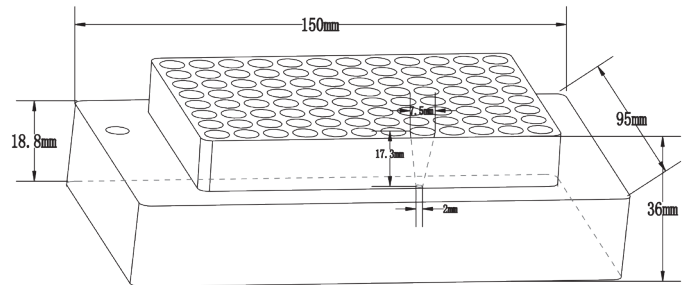


20 holes - test tubes 1.5 ml.
For models TDC
Code 621.0423.92

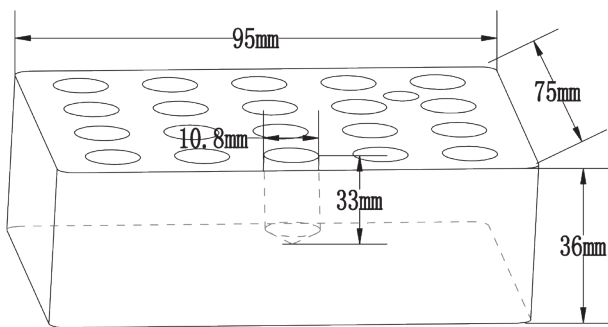
THERMOBLOCKS



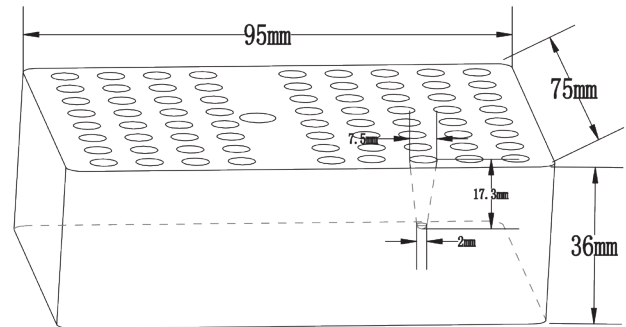
30 holes - test tubes 0.5 ml.
For models TDC
Code 621.0423.93



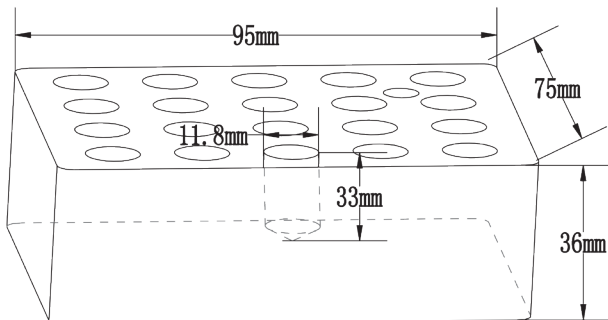
96 holes - 0.2 ml - skirted PCR, vials,
double block version. For models TDC
Code 621.0423.95



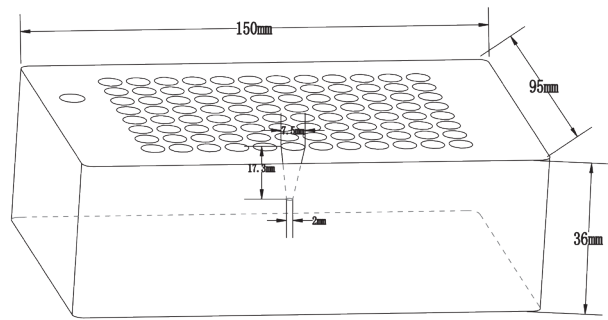
20 holes - test tubes 10 mm.
For TDC models
Code 621.0423.85*



72 holes - 0.2 ml - vials.
For models TDC
Code 621.0423.90



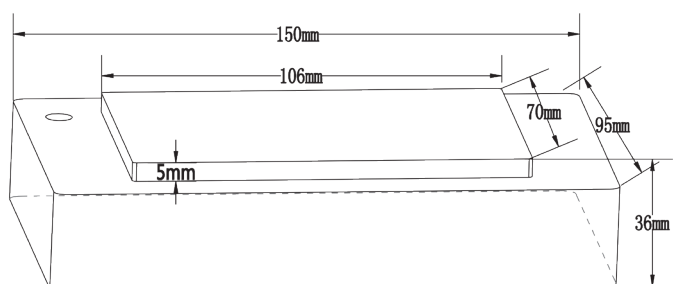
20 holes - test tubes 10 mm.
For TDC models
Code 621.0423.86*



96 holes - 0.2 ml - non skirted vials,
double block version. For models TDC
Code 621.0423.94

HCB-0021

THERMOBLOCKS



Elisa plate block.
double block version. For TDC models
Code 621.0423.98

Code	Block diameter Ø mm	Tube diameter Ø mm	Tube height mm	Tube capacity ml	Tube material	Tube brand	Application
621.0423.85	10.8	10	100	5	plastic	-	-
621.0423.86	11.8	11	70	5	plastic	-	RIA
		11.5	55	3	plastic	-	Coagulometer
		11.6	32	1.5	glass	vials	-
621.0423.58	12.5	12	100	7	plastic / glass	-	-
		12	75	5	plastic / glass	-	-
		12	55	3	plastic	-	-
621.0423.59	13.5	13	75	5	-	-	-
621.0423.60	17.5	17	-	15	glass	Falcon	-
		16	100	15	glass	-	-
		16	160	20	glass	-	-
		16.6	61	8	glass	vials	-
621.0423.61	19.5	18.5	66	12	glass	vials	-
621.0423.62	28.5	26	-	50	-	Falcon	-
		28	-	50	-	Falcon	-
621.0423.63	33.2	30	100	48	plastic	-	centrifuge



FALC INSTRUMENTS s.r.l.

Via G. M. Compagnoni, 2
24047 Treviglio (BG) - Italy
+39 0363 304660 | falc@falcinstruments.it

WWW.FALCINSTRUMENTS.IT